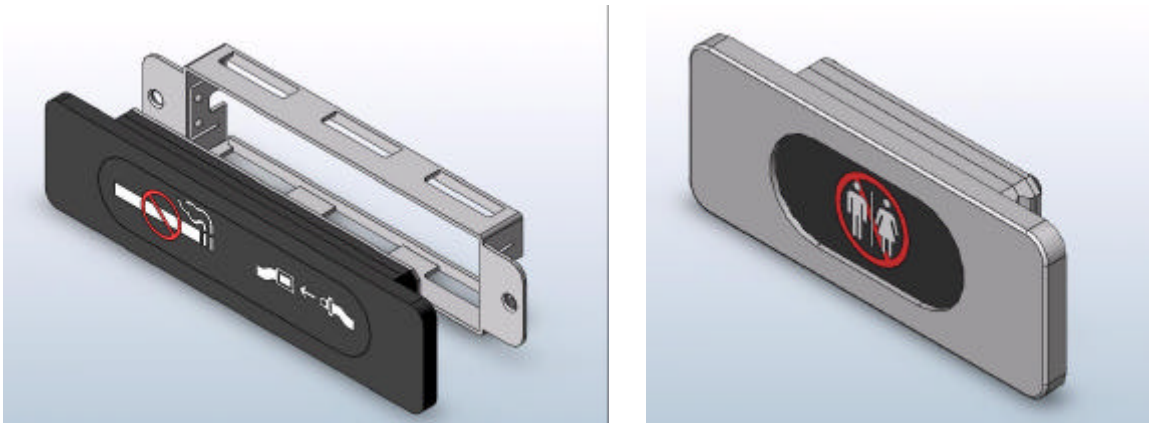


In an aircraft, the Passengers Information Signs are intended to notify information or instruction to passengers and crew (no smoking, return to seat, etc...).

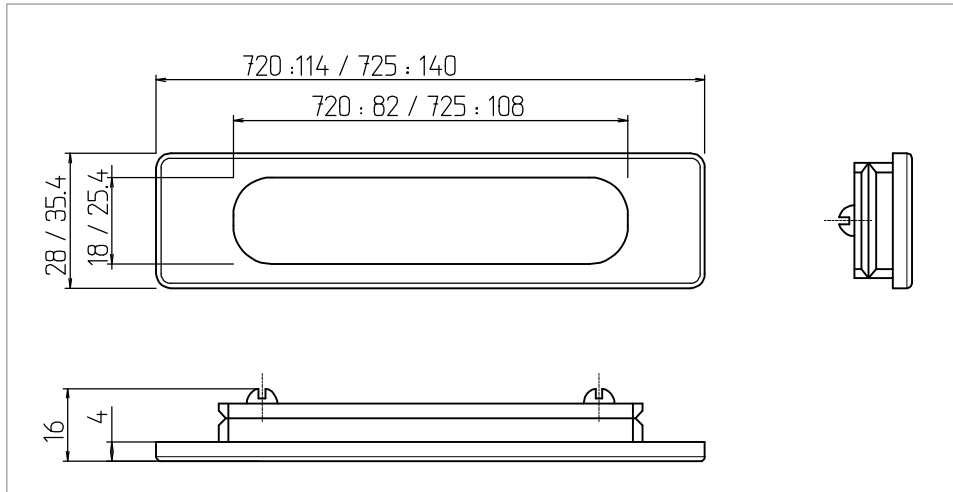
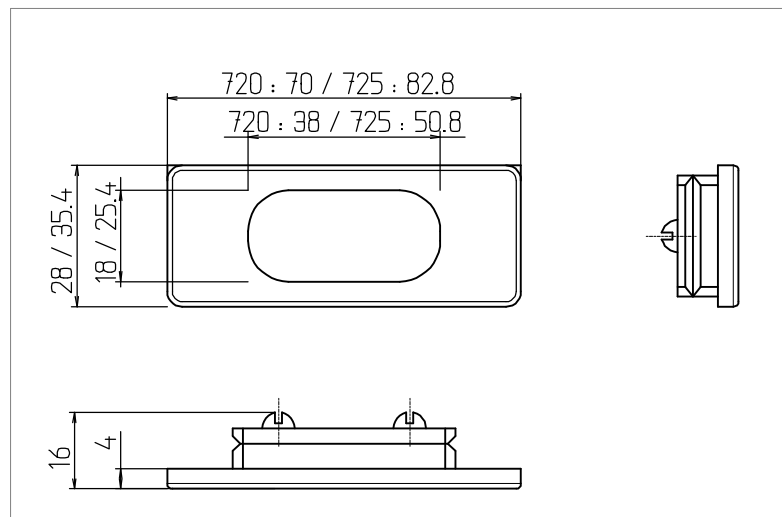
LEDS instruction signs proposed by Madelec are available in two casing/pictograms sizes (720 & 725 families), in single or double pictograms, in various finish, color and power supply.



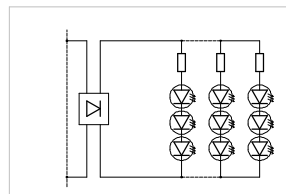
To make easier the installation and maintenance on aircraft, this unit is cogged in an dedicated mounting holder attached to the aircraft structure by two standard screws.

TECHNICAL DATA

	720		725	
	Single	Double	Single	Double
Pictograms				
Dimension:	70x28x16	114x28x16	83x35.4x16	140X35.4x16
Mass:	0.040 kg	0.060 kg	0.045 kg	0.070 kg
Power Supply:	See table			
Electrical Interface:	Two TCB n°6-32 screws			
Light Source:	White LED array.			
Useful Life:	> 20 000 Operating Hours			
Environmental Spec:	Tested & qualified according to RTCA DO160D			

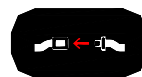
DimensionDouble pictogramsSingle pictogram**Wiring Diagram**

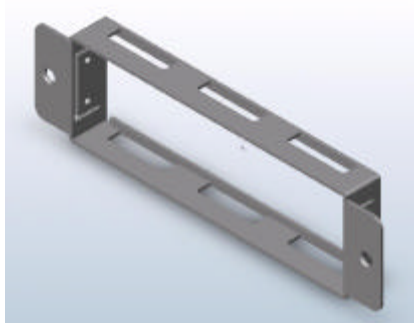
(for information only)



Part description numbering system

720-	C	X	X	Y	Z
↓	↓	↓	↓	↓	↓
Casing type	Casing & pictogram definition	1 st Pictogram Type code	2d Pictogram Type code	Power Supply code	Finish code
Casing type					
720	Lens high : 18 mm				
725	Lens high : 25.4 mm				
C Casing & Pictogram definiton					
1	Double wide & double pictogram				
2	Single wide & single pictogram				
3	Double wide & single pictogram				
XX Pictograms codes					
1	Return to seat				
2	Oxygen in use				
3	Lavatory occupied 1				
4	No smoking				
5	Fasten your seat belt				
6	Right red arrow				
7	Left red arrow				
8	Exit				
9	Lavatory occupied 2				
L0	Lens : 90% light transmission. Only single pictogram.				
L1	Lens : 55% light transmission. Only single pictogram.				
L2	Lens : 35% light transmission. Only single pictogram.				
Y Power Supply					
A	6 VDC – 20mA per pictogram.				
C	28 VDC – 20mA per pictogram.				
Z Casing Finish & Color					
0	Brushing G180 + OAS uncolored				
1	Brushing G180 + OAS black				
2	Brushing G400 + OAS uncolored				
3	Brushing G400 + OAS black				
4	Nickel Brushed n° 19 (Prodict)				



Mounting holder

Sign P/N	Mounting holder P/N
720-1xyz & 720-3	720-4001
720-2xyz	720-4002
725-1xyz & 725-3	725-4001
725-2xyz	725-4002

Example of installation on honeycomb panel