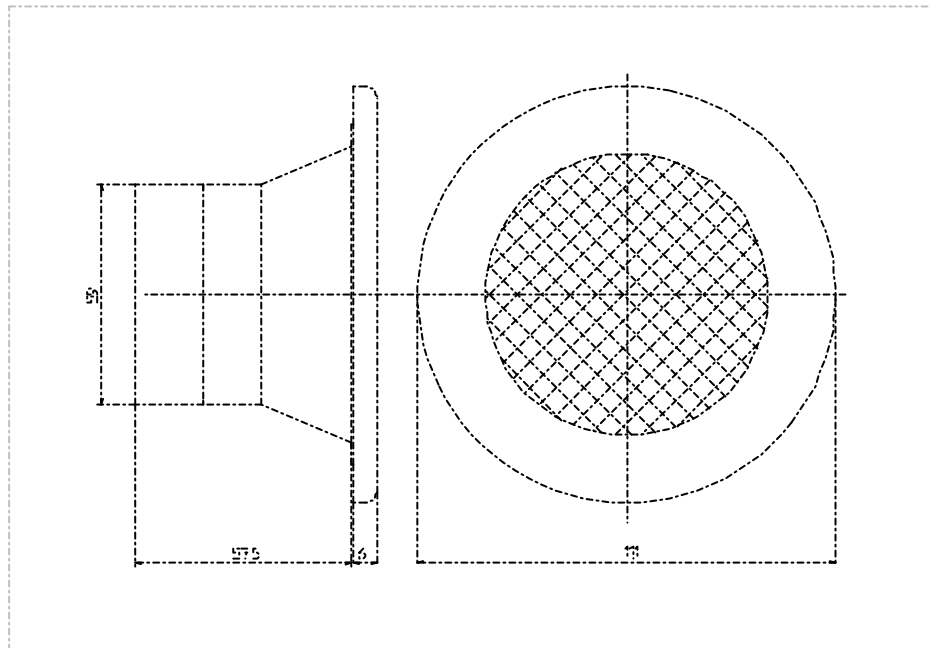


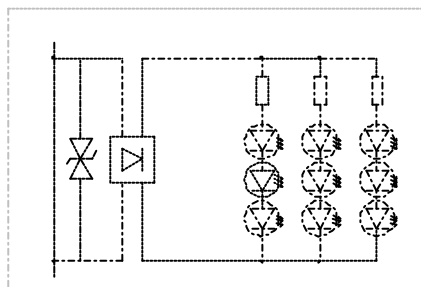
**TECHNICAL DATA**

Dimension:	See drawing
Mass:	0.300 kg
Power Supply:	See table
Electrical Interface:	Two wires. Length 1 m.
Mechanical Interface:	On customer specification
Light Source:	LED array.
Light performances	30 Lux at 2 m. Light beam: about 100°
Useful Life:	> 20 000 Operating Hours
Environmental Spec:	Tested & qualified according to RTCA DO160D

**Dimension**



**Schematic Diagram**



**Part description numbering system**

<b>621</b>	<b>101</b>	<b>Y</b>	<b>Z</b>
	↓	↓	↓
			Finish code
			Power Supply code
	Model.		
<b>Y</b>	<b>Power Supply</b>		
C	28 VDC – 200 mA		
<b>Z</b>	<b>Casing Finish &amp; Color</b>		
0	Brushing G180 + OAS uncolored		
5	Gold		