

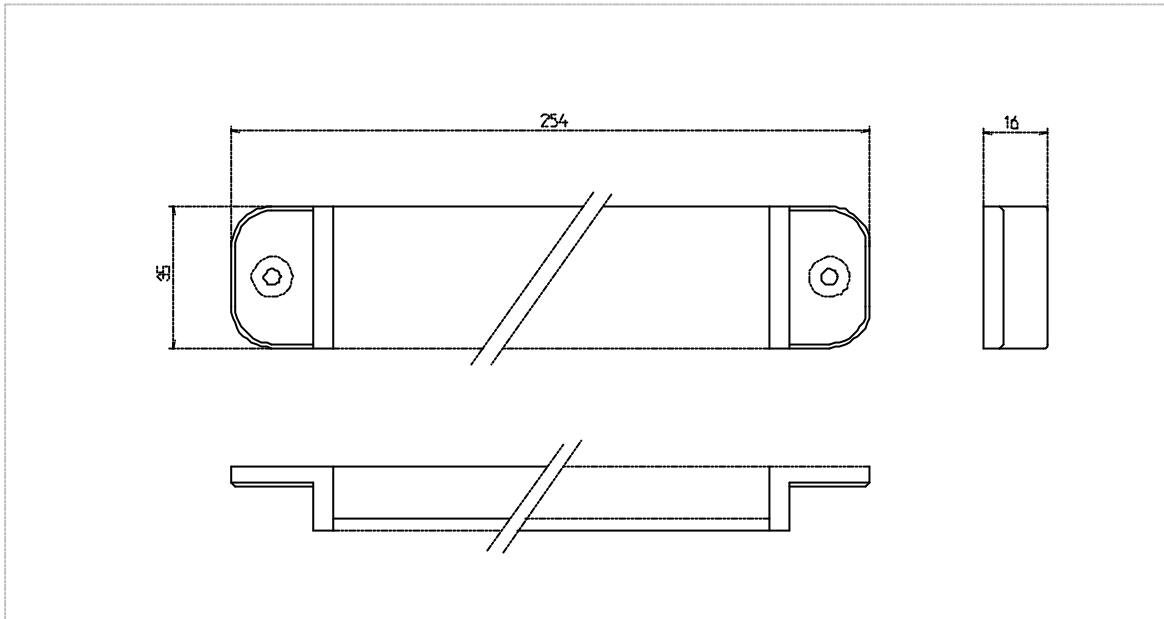
Mainly dedicated for VIP application, this LED emergency ceiling light is fully compliant with the FAR / JAR 25.812.

Installed inside the ceiling - at the level of the aisle - it provides by reflection on the ceiling an indirect illumination of the floor during an emergency evacuation of the passengers cabin.

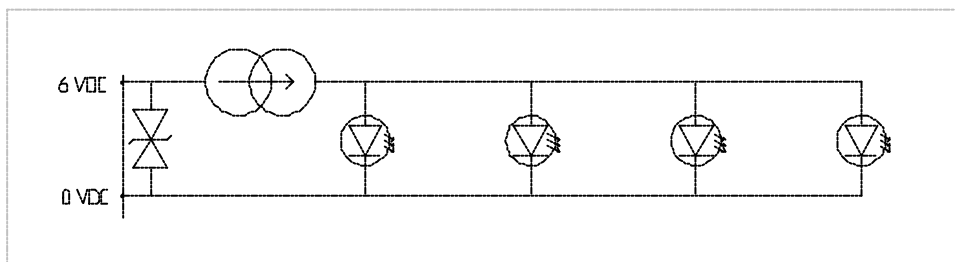
**TECHNICAL DATA**

Dimension:	See drawing
Mass:	0.160 kg
Power Supply:	See table
Electrical Interface:	Two wires. Length 1 m.
Mechanical Interface:	By screws
Light Source:	Four LXHL-MW 1C LUXEON.
Useful Life:	> 20 000 Operating Hours
Environmental Spec:	Tested & qualified according to RTCA DO160D

Dimension



Schematic Diagram



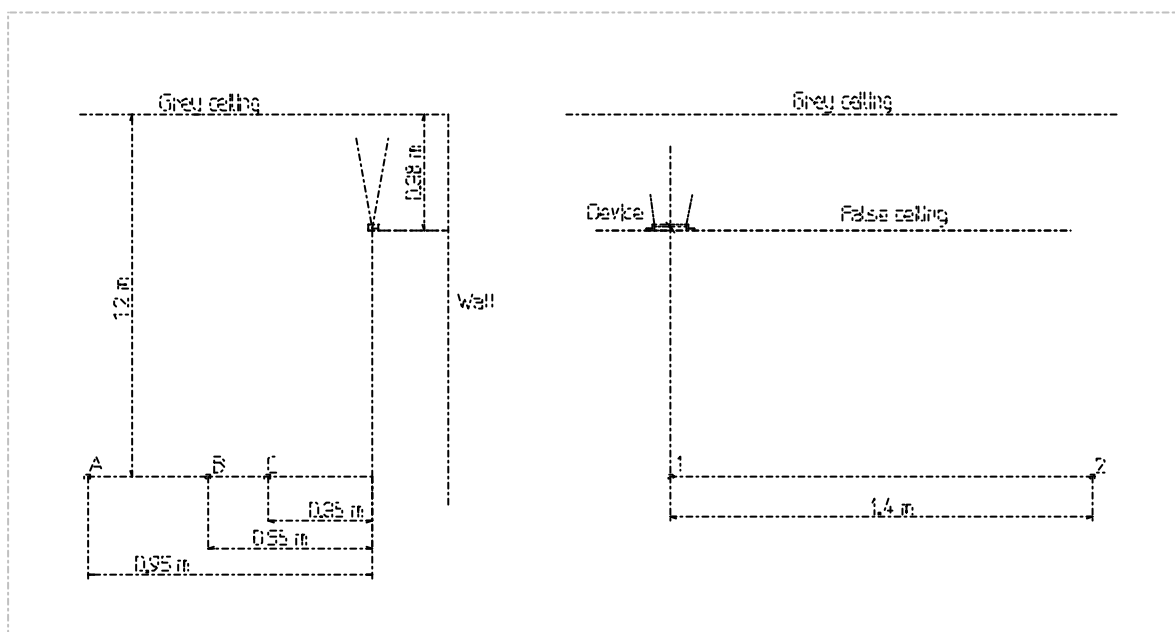
Part description numbering system

550	101	Y	Z
			Finish code
			Power Supply code
			Model
Y	Power Supply		
A	6 VDC – 500 mA		
Z	Casing Finish & Color		
0	Brushing G180 + OAS uncolored		
1	Brushing G180 + OAS black		
2	Brushing G400 + OAS uncolored		
3	Brushing G400 + OAS black		
4	Nickel Brushed n° 19 (Product)		

Lighting Characteristics

Measurement conditions :

- Power Supply : 6 VDC.
- Consumption : 0.500 mA



Characteristics

	1	2
A	2.48 Lux	0.98 Lux
B	2.89 Lux	1.12 Lux
C	2.91 Lux	1.15 Lux

FAR/JAR 25-812 requirements (armrest level) :

- Average : 0.6 Lux.
- Minimum : 0.1 Lux.