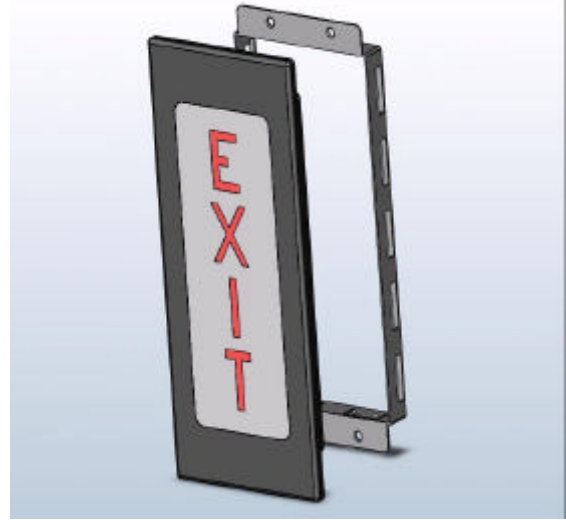


The Emergency Exit Sign is used as a marker and a locator of doors and emergency exits in aircraft cabins.

LED exit marking signs proposed by Madelec totally fulfill the FAR / JAR 25.812 (b)(1) requirements and are available in two sizes (51 & 52 families) in "flush" (P/N xx0) or "curved" (P/N xx5) lens model in order to allow installation independently of the honeycomb panel thickness and in various finish, color and power supply.

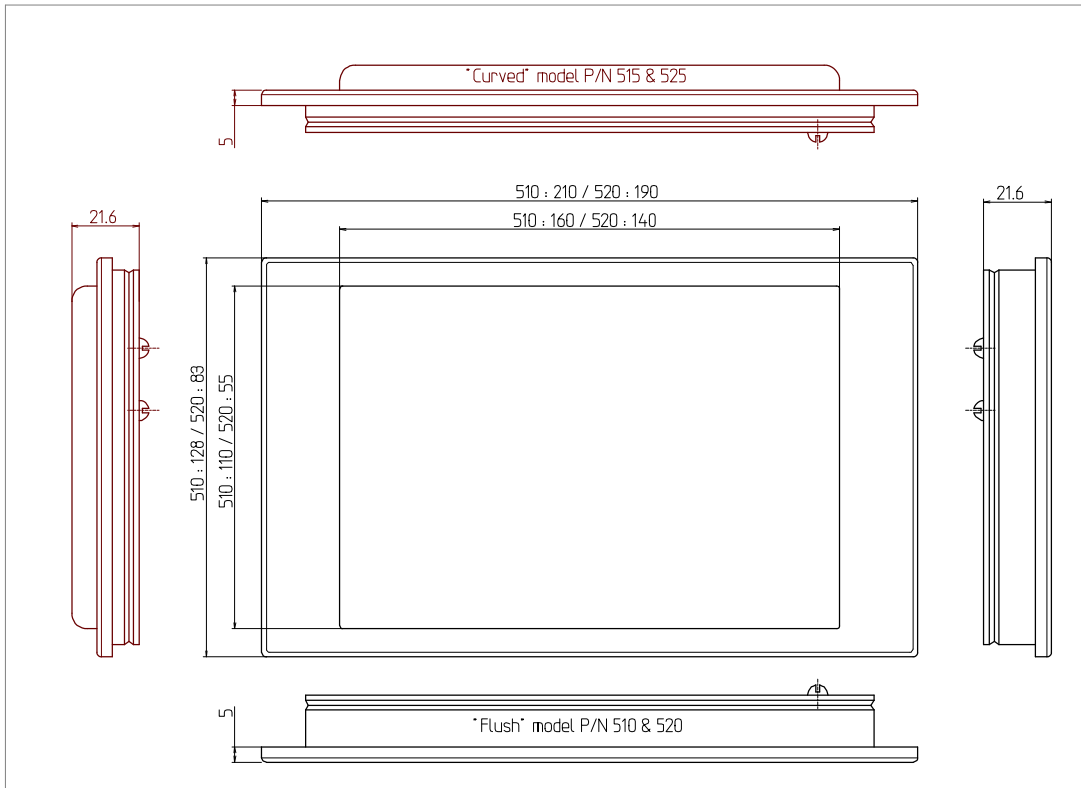


To make easier the installation and maintenance on aircraft, this unit is cogged in an dedicated mounting holder attached to the aircraft structure by two standard screws.

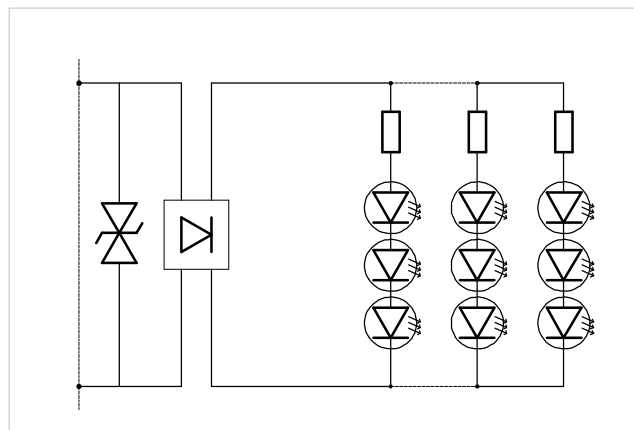
TECHNICAL DATA

	510/515	520/525
Dimension:	210 x 128 x 21.8	190 x 83 x 21.6
Mass:	0.400 kg	0.255 kg
Power Supply:	See table	
Electrical Interface:	Two TCB n°6-32 screws	
Light Source:	White LED array.	
Useful Life:	> 20 000 Operating Hours	
Environmental Spec:	Tested & qualified according to RTCA DO160D	

Dimension



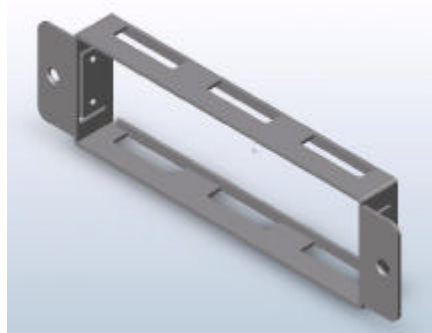
Wiring Diagram



Part description numbering system

510/520-	XXX	Y	Z
	↓	↓	↓
			Finish code
			Power Supply code
			Legend Type code
510-	"Flush" lens model.		
515-	"Curved" lens model.		
XXX	Lens Legend		
101	EXIT		
111	EXIT ←		
121	EXIT →		
520-	"Flush" lens model		
525-	"Curved" lens model		
XXX	Lens Legend		
101	Vertical Exit		
110	Horizontal Exit		
Y	Power Supply		
A	6 VDC – 400 mA		
D	115 VAC 400 Hz – tbd mA		
Z	Casing Finish & Color		
0	Brushing G180 + OAS uncolored		
1	Brushing G180 + OAS black		
2	Brushing G400 + OAS uncolored		
3	Brushing G400 + OAS black		
4	Nickel Brushed n° 19 (Prodict)		

Mounting holder



Sign P/N	Mounting holder P/N
510-	510-4001
515-	515-4001
520-	520-4001
525-	525-4001

Example of installation on honeycomb panel

