

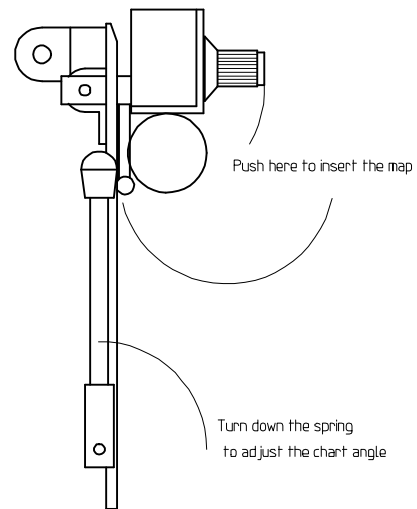
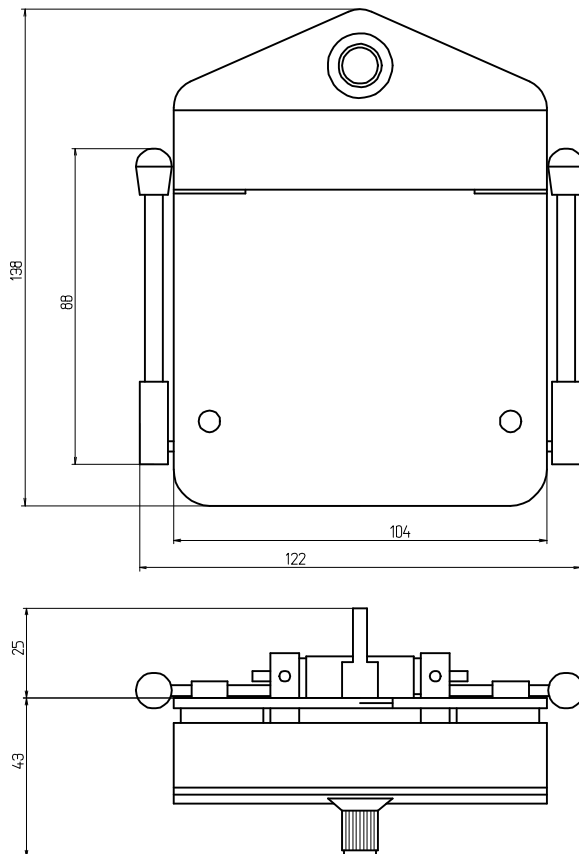
This chart-holder is lighted by white LED's.

**Main characteristics**

- Weight : 0.270 Kg (0.6 lbs).
- Lighting system : white LED's monitored by rotary switch. (Off, min, max).
- Power supply : 0.10 A / 28 VDC
- Color : these chart-holder are available in two different color:
  - Black : P/N 40-62-01
  - Grey : P/N 40-63-01



**Dimensions**



Mechanical Interface

