

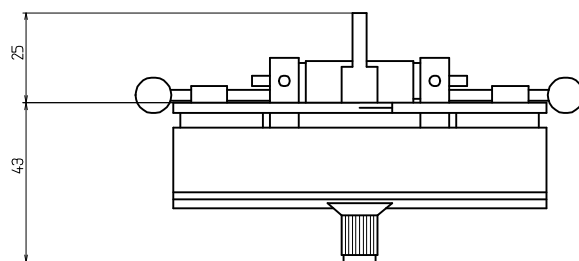
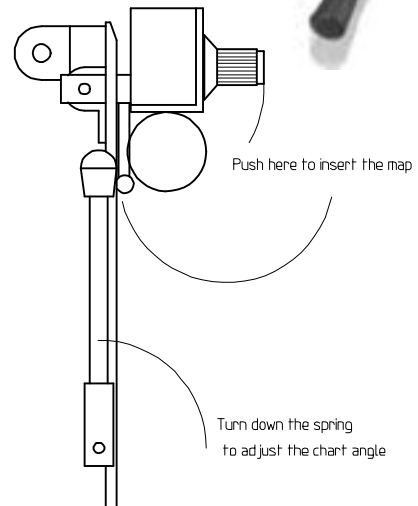
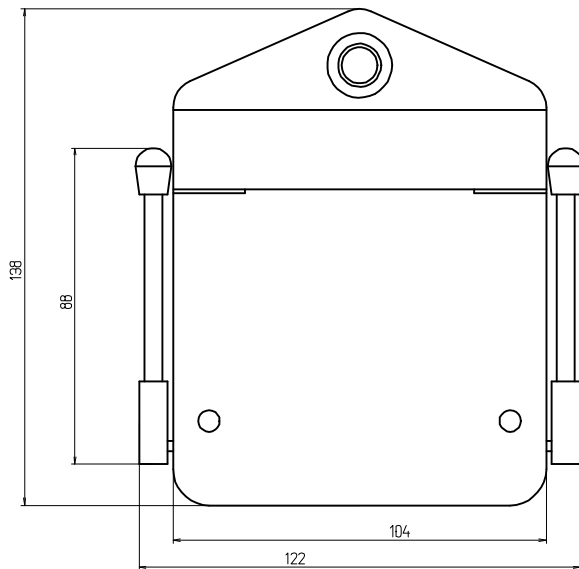
*P/N 10-62-01*

### Main characteristics

**Weight :** 0.270 Kg (0.6 lbs).  
**Lighting system :** two bulbs monitored by potentiometer.  
**Power consumption :** 0.34 A / 28 VDC  
**Color :** these chart-holder are available in two different color.  
**Black :** P/N 10-62-01  
**Grey :** P/N 10-63



### Dimensions



Mechanical Interface

