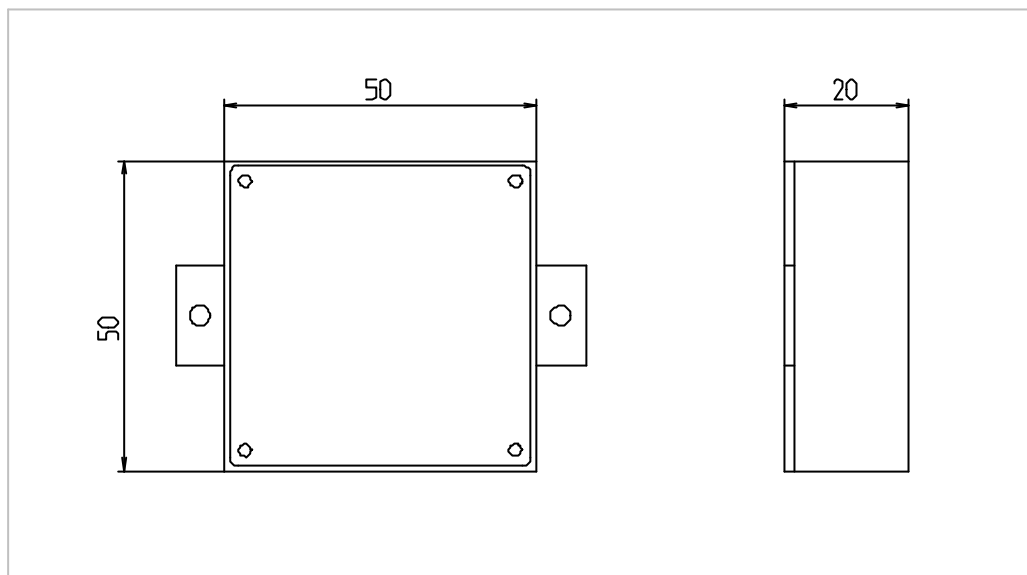


This current source is dedicated to power the reading light referenced 631-10X (See TDS-631-10x).

**TECHNICAL DATA**

Dimension:	See drawing
Mass:	0.100 kg
Power Supply:	See table
Output characteristics	Maximum 0.350 A. See table.
Electrical Interface:	Wires
Mechanical Interface:	Screws
Useful Life:	> 20 000 Operating Hours
Environmental Spec:	Tested & qualified according to RTCA DO160D

Dimension



Part description numbering system

691-1	XX	Y	
	↓	↓	
			Power Supply code
			Output characteristics
XX	Dimming lax		
0X	Not adjustable		
1X	Adjustable from 50% to 100% full scale.		
X1	350 mA		
Y	Power Supply		
C	28VDC		