

This reading light is based on the combined use of a revolutionary, energy efficient and ultra compact new light source, combining the lifetime and reliability advantages of Light Emitting Diodes with the brightness of conventional lighting and an efficient optical system.



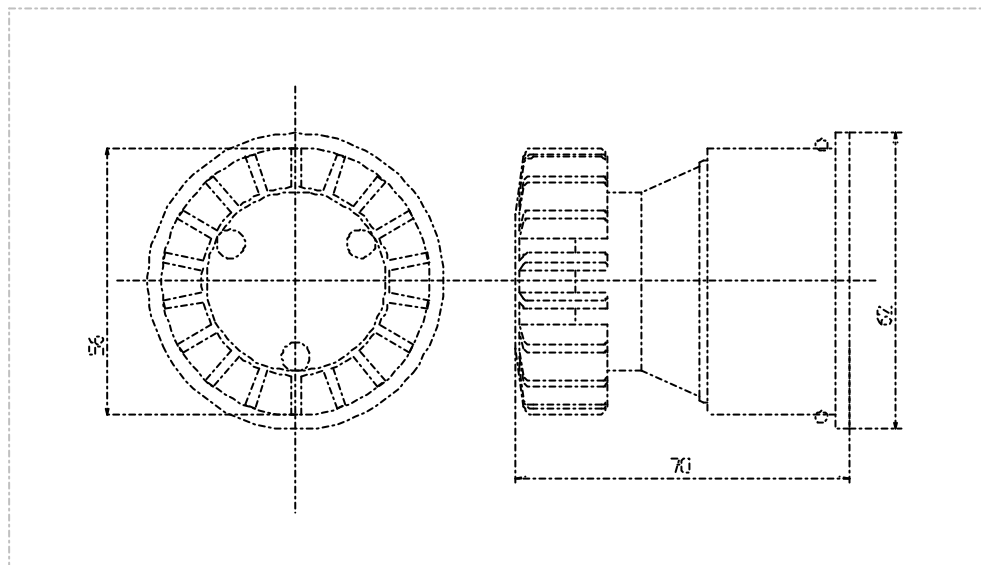
This reading light is offered in various lighting characteristics (colour temperature, light level, area form & dimensions).

It is powered through a current generator or a dimmer circuit as describes in our technical data sheet TDS-691 and TDS-692.

**TECHNICAL DATA**

Dimension:	See drawing
Mass:	0.150 kg
Power Supply:	See table
Electrical Interface:	Two wires. Length 1 m.
Mechanical Interface:	clips
Light Source:	LXHL-MW 1C LUXEON LUMILED
Lighted area	About Ø420mm at a distance of 920 mm.
Lighting level	about 110 Lux at 920 mm
Standard Colour Temperature	See table
Light distribution	better than 30%
Max Brightness outside of the area	5 % of full brightness
Useful Life:	> 20 000 Operating Hours
Environmental Spec:	Tested & qualified according to RTCA DO160D

**Dimension**



**Part description numbering system**

631-10	X	Y	Z
			Finish code
		Power Supply code	
	Colour temperature		
<b>X</b>	<b>Colour temperature</b>		
1	5500°K		
2	37000K		
<b>Y</b>	<b>Power Supply</b>		
A	Maximum current 350 mA. 1.8W		
<b>Z</b>	<b>Casing Finish &amp; Color</b>		
1	Black		