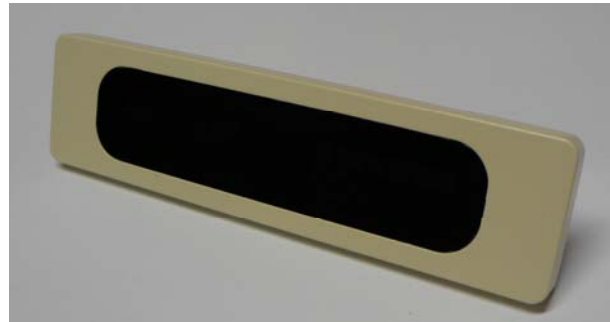


In an aircraft, the Passengers Information Signs are intended to notify information or instruction to passengers and crew (no smoking, return to seat, etc...).

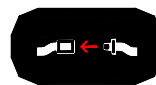
LEDS instruction signs proposed by Madelec are available in single or double pictograms, in various finish, color and power supply and benefit of the excellence of the flat-light technology..



To make easier the installation and maintenance on aircraft, this unit is cogged in a dedicated mounting holder attached to the aircraft structure by two standard screws.

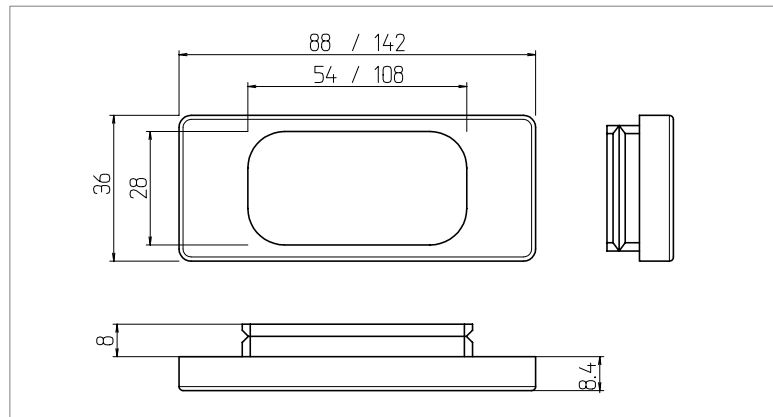
	725EH	
	Single	Double
Pictograms		
Dimension:	88 x 36 x 8,4 (16,4)16	142 x 36.4 x 8,4 (16,4)
Mass:	0.045 kg	0.070 kg
Power Supply:	See table	
Electrical Interface:	300 mm length flying leads.	
Light Source:	White LED array.	
Useful Life:	> 20 000 Operating Hours	
Environmental Spec:	Tested & qualified according to RTCA DO160D	

Standard pictogram definition



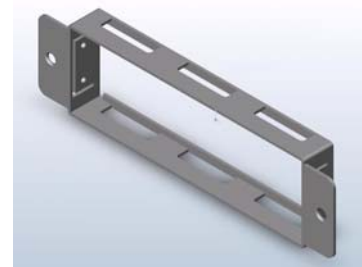
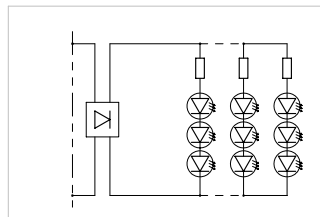
Dimension

Single pictogram / Double pictograms



Wiring Diagram

(for information only)



Mounting holder

Sign P/N	Mounting holder P/N
725EH-1_____ & 725EH-3_____	725-4001
725EH-2_____	725-4002

Example of installation on honeycomb panel

