

MADELEC AERO

FLOOR PROXIMITY EMERGENCY LIGHTING

PART N°: XXX-1309-111

101-1309-111 / 102-1309-111 / 103-1309-111

104-1309-111

500-1309-111 / 501-1309-111 / 502-1309-111

503-1309-111 / 505-1309-111 / 506-1309-111

510-1309-111 / 520-1309-111 / 521-1309-111

118-5569-1

COMPONENT MAINTENANCE MANUAL

WITH

ILLUSTRATED PARTS LIST

33-52-10

MADELEC AERO
COMPONENT MAINTENANCE MANUAL
PART N°: XXX-1309-111

LIST OF EFFECTIVE PAGES

| SUBJECT | Page | Date | SUBJECT | Page | Date |
|------------------------|------|---------|---------|------|------|
| List of Effective Page | 1 | 5SEP95 | | | |
| Record of Revision | 1 | 5SEP95 | | | |
| Table of Contents | 1 | 10MAY95 | | | |
| General | 1 | 5SEP95 | | | |
| Figure 1 | 1001 | 5SEP95 | | | |
| Nomenclature 1 | 1002 | 5SEP95 | | | |
| Figure 2 | 1003 | 5SEP95 | | | |
| Nomenclature 2 | 1004 | 5SEP95 | | | |
| Figure 3 | 1005 | 5SEP95 | | | |
| Nomenclature 3 | 1006 | 5SEP95 | | | |
| Figure 4 | 1007 | 5SEP95 | | | |
| Nomenclature 4 | 1008 | 5SEP95 | | | |
| Figure 5 | 1009 | 5SEP95 | | | |
| Nomenclature 5 | 1010 | 5SEP95 | | | |
| Figure 6 | 1011 | 10MAY95 | | | |
| Nomenclature 6 | 1012 | 10MAY95 | | | |

MADELEC AERO
COMPONENT MAINTENANCE MANUAL
XXX-1309-111

RECORD OF REVISIONS

| REVISION | | INSERTION | | REVISION | | INSERTION | |
|----------|------------|-----------|----|----------|------|-----------|----|
| N° | Date | Date | By | N° | Date | Date | By |
| 1 | May 10, 95 | | | | | | |
| 2 | Sept 5, 95 | | | | | | |

MADELEC AERO
COMPONENT MAINTENANCE MANUAL
XXX-1309-111

TABLE OF CONTENTS

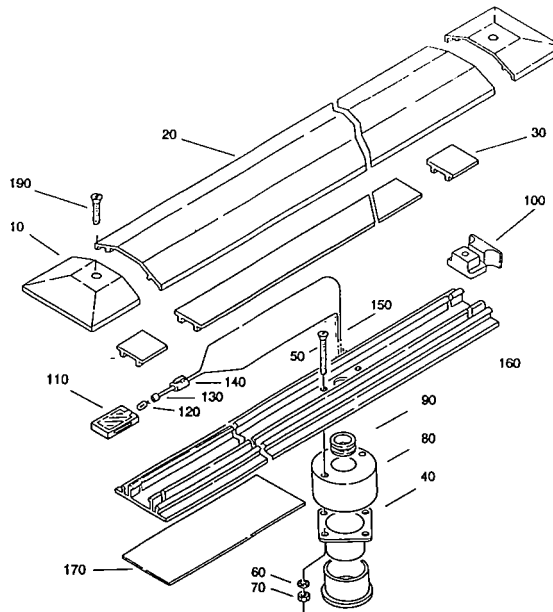
| SUBJECT | Chapter Section Subject | Page | Effectivity |
|-------------------------------------|----------------------------------------------|--------------|-------------|
| COMPONENT MAINTENANCE MANUAL | | | |
| Description & Operation | General | 1 | |
| Fault Isolation | General | 1 | |
| Adjustment/Test | General | 1 | |
| Removal / Installation | General | 1 | |
| ILLUSTRATED PARTS CATALOG | | | |
| Figure 1 | 101/102 & 103-1309-111 503 & 510-1309-111 | Figure | 1001 |
| Nomenclature | 101/102 & 103-1309-111 503 & 510-1309-111 | Nomenclature | 1002 |
| Figure 2 | 104-1309-111 | Figure | 1003 |
| Nomenclature | 104-1309-111 | Nomenclature | 1004 |
| Figure 3 | 500 & 501-1309-111 | Figure | 1005 |
| Nomenclature | 500 & 501-1309-111 | Nomenclature | 1006 |
| Figure 4 | 502 & 505-1309-111 | Figure | 1007 |
| Nomenclature | 502 & 505-1309-111 | Nomenclature | 1008 |
| Figure 5 | 506/520 & 521-1309-111 | Figure | 1009 |
| Nomenclature | 506/520 & 521-1309-111 | Nomenclature | 1010 |
| Figure 6 | 118-5569-1 | Figure | 1011 |
| Nomenclature | 118-5569-1 | Nomenclature | 1012 |

1. DESCRIPTION & OPERATION

Each lighted strip includes an extrusion base (160) on which are fitted the light sources (110 to 140) spaced every 40 cm (16"). Red light points indicate proximity of the emergency exits.

The electrical cables (150), concealed in a covered channel (30), are routed to a connector (40). The retainer (100) prevent any entry of liquid in the cable channel. The assembly is completed by a transparent cover (20) with end caps (10) on both extremities, screwed on the retainer by two screws (190).

The extrusion base is mounted directly on the aircraft floor panels with two-side tape and runs along the cabin aisle.



2. FAULT ISOLATION

Aimlessly

3. ADJUSTMENT / TEST

Aimlessly

4. REMOVAL / INSTALLATION

Light source is easily accessible for replacement on condition

To exchange the light source:

- pull out the cover Rep. (20);
- pull out the lamp holder Rep. (110);
- exchange the bi-pin Rep. (120).

MADELEC AERO
XXX-1309-111 / ILLUSTRATED PARTS CATALOG

TYPE: 101, 102, 103, 503 & 510

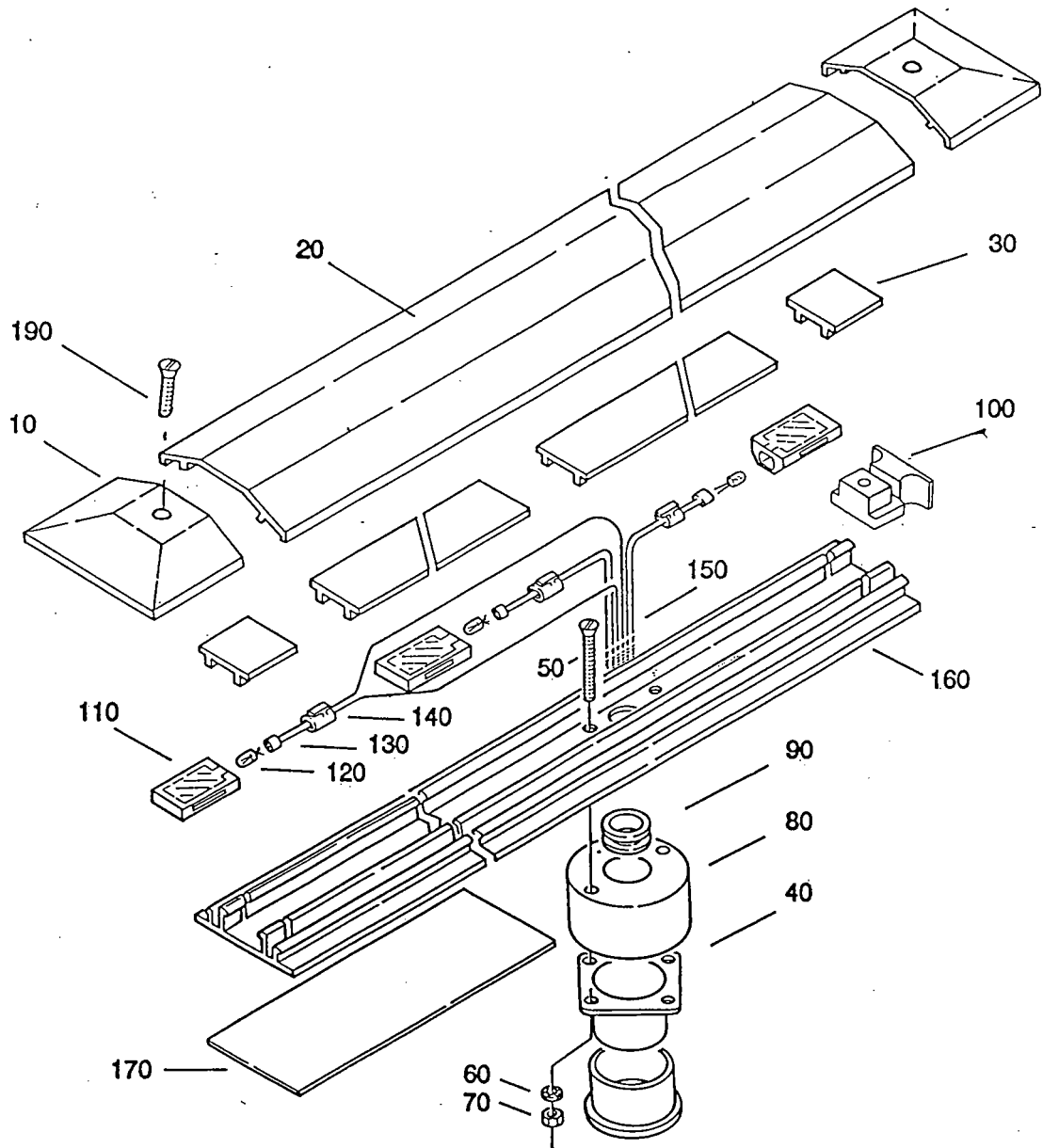


FIGURE N° 1

MADELEC AERO
XXX-1309-111 / ILLUSTRATED PARTS CATALOG

| Fig. Item | Part Number | AIRLINE Stock N° | Nomenclature | Usage | Units/Assy |
|-----------|--------------|---------------------|-------------------------------|-------|------------|
| -001A | 101-1309-111 | | Floor Proximity Strip 1580 mm | | RF |
| -001B | 102-1309-111 | | Floor Proximity Strip 1328 mm | | RF |
| -001C | 103-1309-111 | | Floor Proximity Strip 1126 mm | | RF |
| -001D | 503-1309-111 | | Floor Proximity Strip 1140 mm | | RF |
| -001E | 510-1309-111 | | Floor Proximity Strip 1656 mm | | RF |
| 010A | 11-7244 | | .End Cap Modified | | 2 |
| 020A | 101-5569-1 | | .Top Cover | A | 1 |
| 020B | 102-5569-1 | | .Top Cover | B | 1 |
| 020C | 103-5569-1 | | .Top Cover | C | 1 |
| 020D | 503-5569-1 | | .Top Cover | D | 1 |
| 020E | 510-5569-1 | | .Top Cover | E | 1 |
| 030A | 101-5565-1 | | .Wire Cover | A | 1 |
| 030B | 102-5565-1 | | .Wire Cover | B | 1 |
| 030C | 103-5565-1 | | .Wire Cover | C | 1 |
| 030D | 503-5565-1 | | .Wire Cover | D | 1 |
| 030E | 510-5565-1 | | .Wire Cover | E | 1 |
| 040A | 202 | | .Connector | | 1 |
| 050A | 203 | | .Screw TF90°3x30mm | | 2 |
| 060A | 210 | | .Washer lock | | 2 |
| 070A | 209 | | .Nut M3 | | 2 |
| 080A | 201 | | .Support Connector | | 1 |
| 090A | 207 | | .Grommet | | 1 |
| 100A | 11-7345 | | .Retainer | | 2 |
| 110A | 11-5555-1 | | .Lens | | 3 |
| 120A | LP1670 | | .Lamp | | 3 |
| 130A | LH6151 | | .Socket | | 3 |
| 140A | 11-5556-1 | | .Lamp Holder | | 3 |
| 150A | 204 | | .Set of Wire | | AR |
| 160A | 101-5568-27 | | .Base | A | 1 |
| 160B | 102-5568-27 | | .Base | B | 1 |
| 160C | 103-5568-27 | | .Base | C | 1 |
| 160D | 503-5568-27 | | .Base | D | 1 |
| 160E | 510-5568-27 | | .Base | E | 1 |
| 170A | 205 | | .Floor Cap Cover | | 1 |
| 190A | 220 | | .Screw TF2,5 Black | | 2 |

- item not illustrated

33-52-10

Nomenclature 1

Page 1002

September 5 1995

MADELEC AERO
XXX-1309-111 / ILLUSTRATED PARTS CATALOG

TYPE: 104

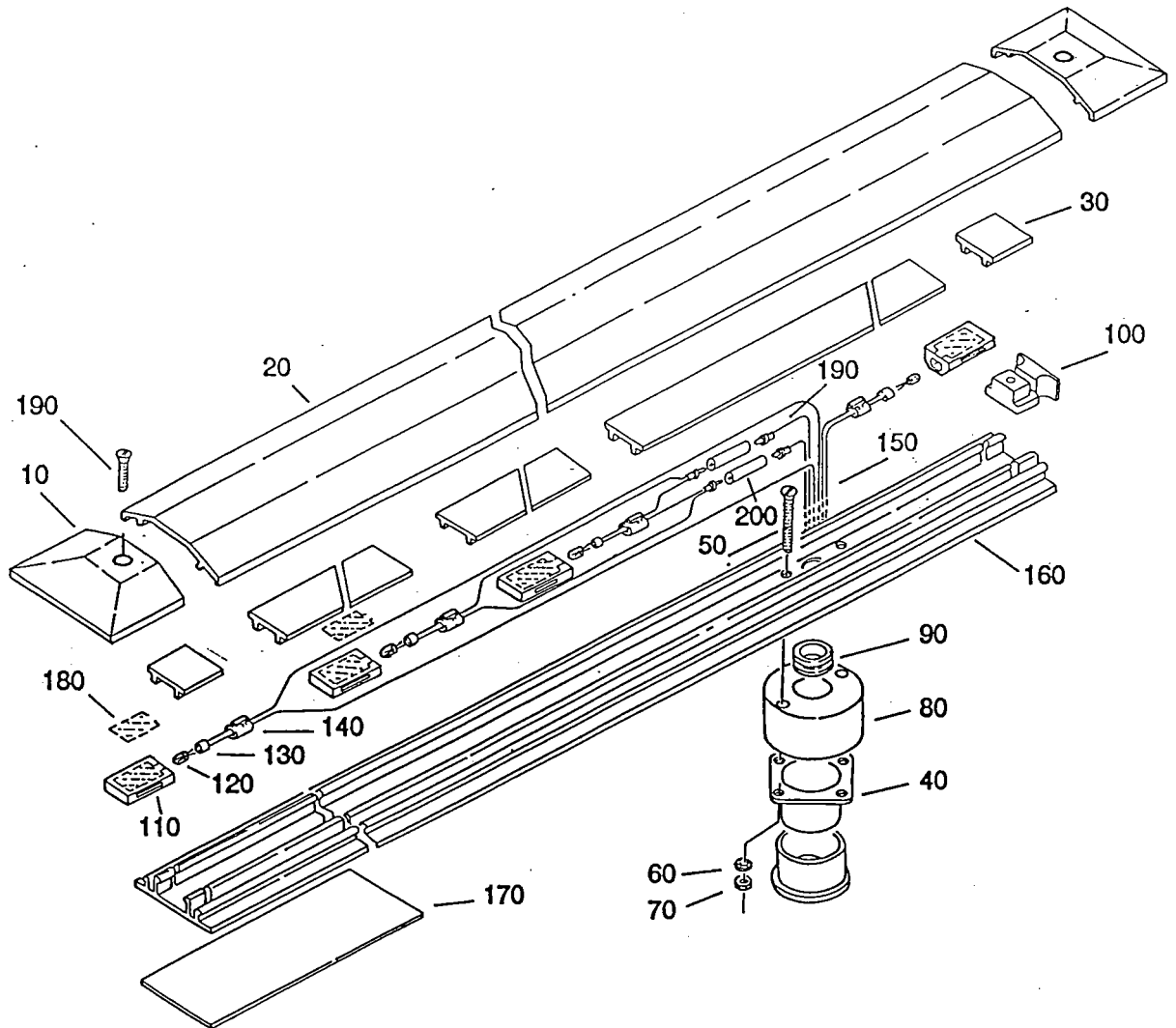


FIGURE N° 2

33-52-10

Figure 2

Page 1003

September 5 1995

MADELEC AERO
XXX-1309-111 / ILLUSTRATED PARTS CATALOG

| Fig. Item | Part Number | AIRLINE Stock N° | Nomenclature | Usage | Units/Assy |
|-----------|--------------|---------------------|-------------------------------|-------|------------|
| -001A | 104-1309-111 | | Floor Proximity Strip 1580 mm | | RF |
| I 010A | 11-7244 | | .End Cap Modified | | 2 |
| 020A | 104-5569-1 | | .Top Cover | | 1 |
| 030A | 104-5565-1 | | .Wire Cover | | 1 |
| 040A | 202 | | .Connector | | 1 |
| 050A | 203 | | .Screw TF90°3x30mm | | 2 |
| 060A | 210 | | .Washer lock | | 2 |
| 070A | 209 | | .Nut M3 | | 2 |
| 080A | 201 | | .Support Connector | | 1 |
| 090A | 207 | | .Grommet | | 1 |
| I 100A | 11-7345 | | .Retainer | | 2 |
| 110A | 11-5555-1 | | .Lens | | 4 |
| I 120A | LP1670 | | .Lamp | | 4 |
| 130A | LH6151 | | .Socket | | 4 |
| 140A | 11-5556-1 | | .Lamp Holder | | 4 |
| 150A | 204 | | .Set of Wire | | AR |
| 160A | 104-5568-27 | | .Base | | 1 |
| 170A | 205 | | .Floor Cap Cover | | 1 |
| 180A | 25-1411-5 | | .Colour Filter | | 2 |
| I 190A | 220 | | .Screw TF2,5 Black | | 2 |

- item not illustrated

33-52-10

Nomenclature 2

Page 1004

September 5 1995

MADELEC AERO
XXX-1309-111 / ILLUSTRATED PARTS CATALOG

TYPE: 500 & 501

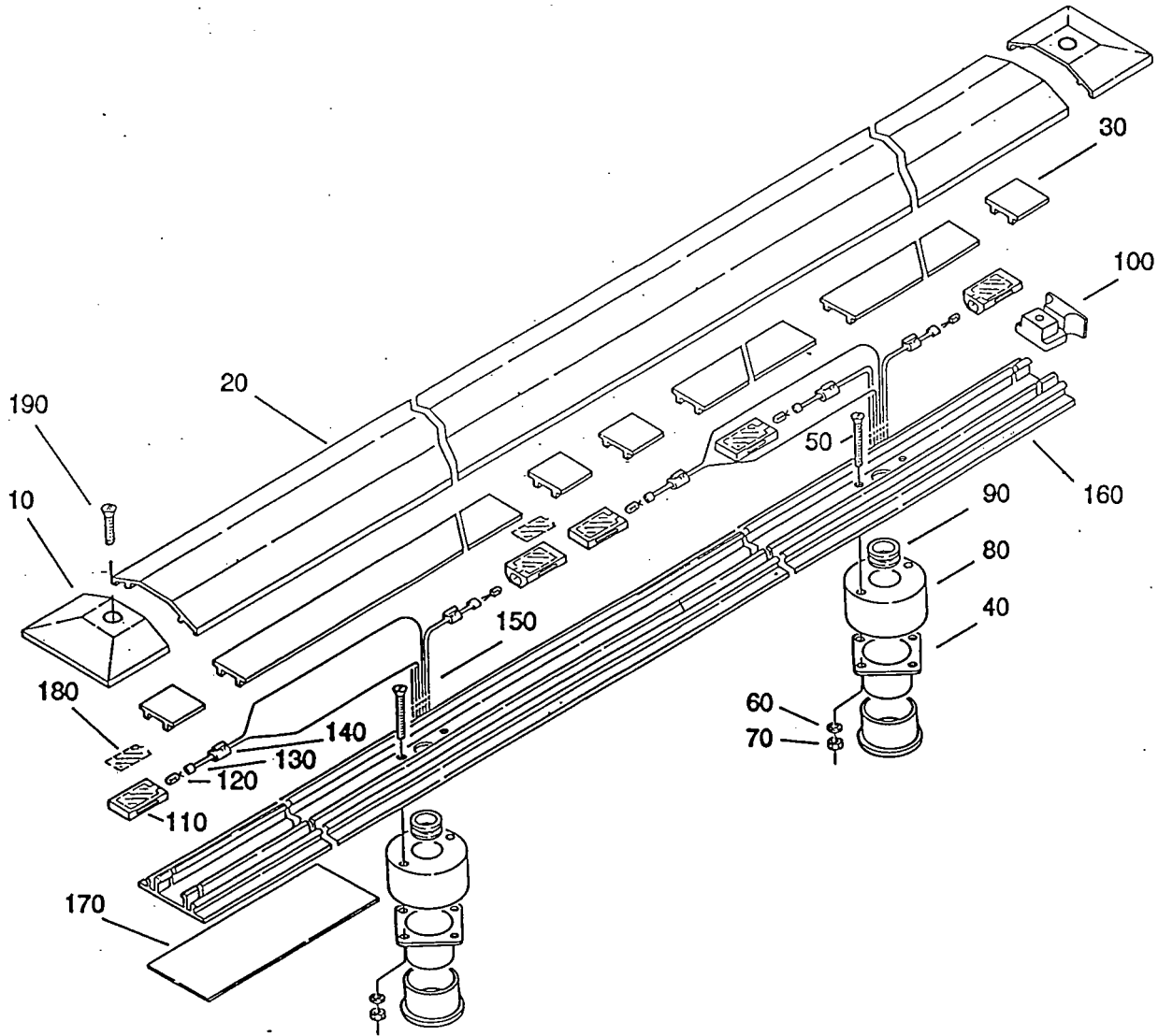


FIGURE N° 3

33-52-10

Figure 3

Page 1005

September 5 1995

MADELEC AERO
XXX-1309-111 / ILLUSTRATED PARTS CATALOG

| Fig. Item | Part Number | AIRLINE Stock N° | Nomenclature | Usage | Units/Assy |
|-----------|--------------|---------------------|-------------------------------|-------|------------|
| -001A | 500-1309-111 | | Floor Proximity Strip 2256 mm | | RF |
| -001B | 501-1309-111 | | Floor Proximity Strip 2186 mm | | RF |
| 010A | 11-7244 | | .End Cap Modified | | 2 |
| 020A | 500-5569-1 | | .Top Cover | A | 1 |
| 020B | 501-5569-1 | | .Top Cover | B | 1 |
| 030A | 500-5565-1 | | .Wire Cover | A | 1 |
| 030B | 501-5565-1 | | .Wire Cover | B | 1 |
| 040A | 202 | | .Connector | | 2 |
| 050A | 203 | | .Screw TF90°3x30mm | | 4 |
| 060A | 210 | | .Washer lock | | 4 |
| 070A | 209 | | .Nut M3 | | 4 |
| 080A | 201 | | .Support Connector | | 2 |
| 090A | 207 | | .Grommet | | 2 |
| 100A | 11-7345 | | .Retainer | | 2 |
| 110A | 11-5555-1 | | .Lens | | 5 |
| 120A | LP1670 | | .Lamp | | 5 |
| 130A | LH6151 | | .Socket | | 5 |
| 140A | 11-5556-1 | | .Lamp Holder | | 5 |
| 150A | 204 | | .Set of Wire | | AR |
| 160A | 500-5568-27 | | .Base | A | 1 |
| 160A | 501-5568-27 | | .Base | B | 1 |
| 170A | 205 | | .Floor Cap Cover | | 1 |
| 190A | 220 | | .Screw TF2,5 Black | | 2 |

- item not illustrated

33-52-10

Nomenclature 3

Page 1006

September 5 1995

MADELEC AERO
XXX-1309-111 / ILLUSTRATED PARTS CATALOG

TYPE: 502 & 505

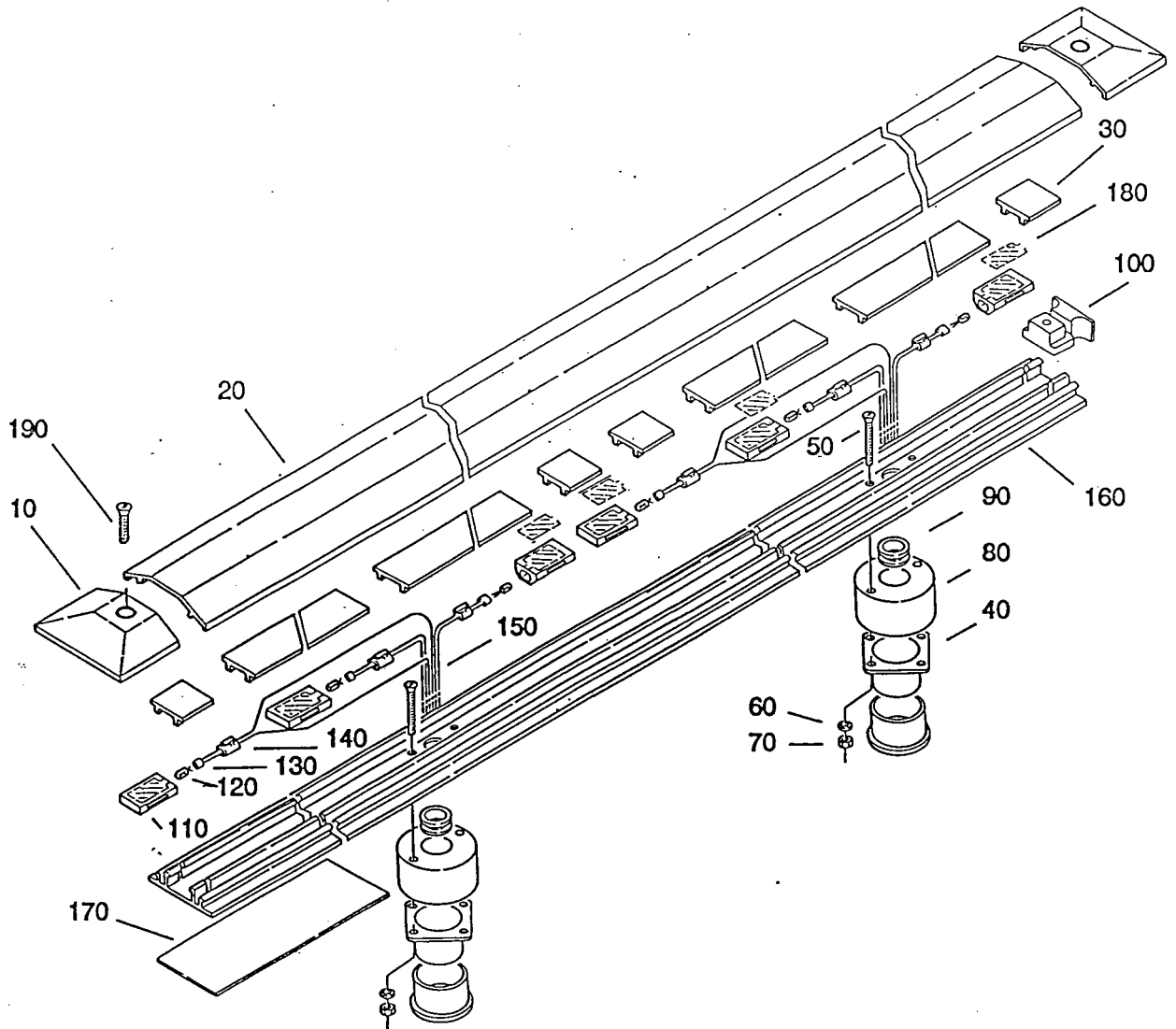


FIGURE N° 4

33-52-10

Figure 4

Page 1007

September 5 1995

MADELEC AERO
XXX-1309-111 / ILLUSTRATED PARTS CATALOG

| Fig. Item | Part Number | AIRLINE Stock N° | Nomenclature | Usage | Units/Assy |
|-----------|--------------|---------------------|-------------------------------|-------|------------|
| -001A | 502-1309-111 | | Floor Proximity Strip 1656 mm | | RF |
| -001B | 505-1309-111 | | Floor Proximity Strip 1580 mm | | RF |
| I 010A | 11-7244 | | .End Cap Modified | | 2 |
| 020A | 502-5569-1 | | .Top Cover | A | 1 |
| 020B | 505-5569-1 | | .Top Cover | B | 1 |
| 030A | 502-5565-1 | | .Wire Cover | A | 1 |
| 030B | 505-5565-1 | | .Wire Cover | B | 1 |
| 040A | 202 | | .Connector | | 2 |
| 050A | 203 | | .Screw TF90°3x30mm | | 4 |
| 060A | 210 | | .Washer lock | | 4 |
| 070A | 209 | | .Nut M3 | | 4 |
| 080A | 201 | | .Support Connector | | 2 |
| 090A | 207 | | .Grommet | | 2 |
| I 100A | 11-7345 | | .Retainer | | 2 |
| 110A | 11-5555-1 | | .Lens | | 6 |
| I 120A | LP1670 | | .Lamp | | 6 |
| 130A | LH6151 | | .Socket | | 6 |
| 140A | 11-5556-1 | | .Lamp Holder | | 6 |
| 150A | 204 | | .Set of Wire | | AR |
| 160A | 502-5568-27 | | .Base | A | 1 |
| 160A | 505-5568-27 | | .Base | B | 1 |
| 170A | 205 | | .Floor Cap Cover | | 1 |
| 180A | 25-1411-5 | | .Colour Filter | | 4 |
| I 190A | 220 | | .Screw TF2,5 Black | | 2 |

- item not illustrated

33-52-10

Nomenclature 4

Page 1008

September 5 1995

MADELEC AERO
XXX-1309-111 / ILLUSTRATED PARTS CATALOG

TYPE: 506, 520 & 521

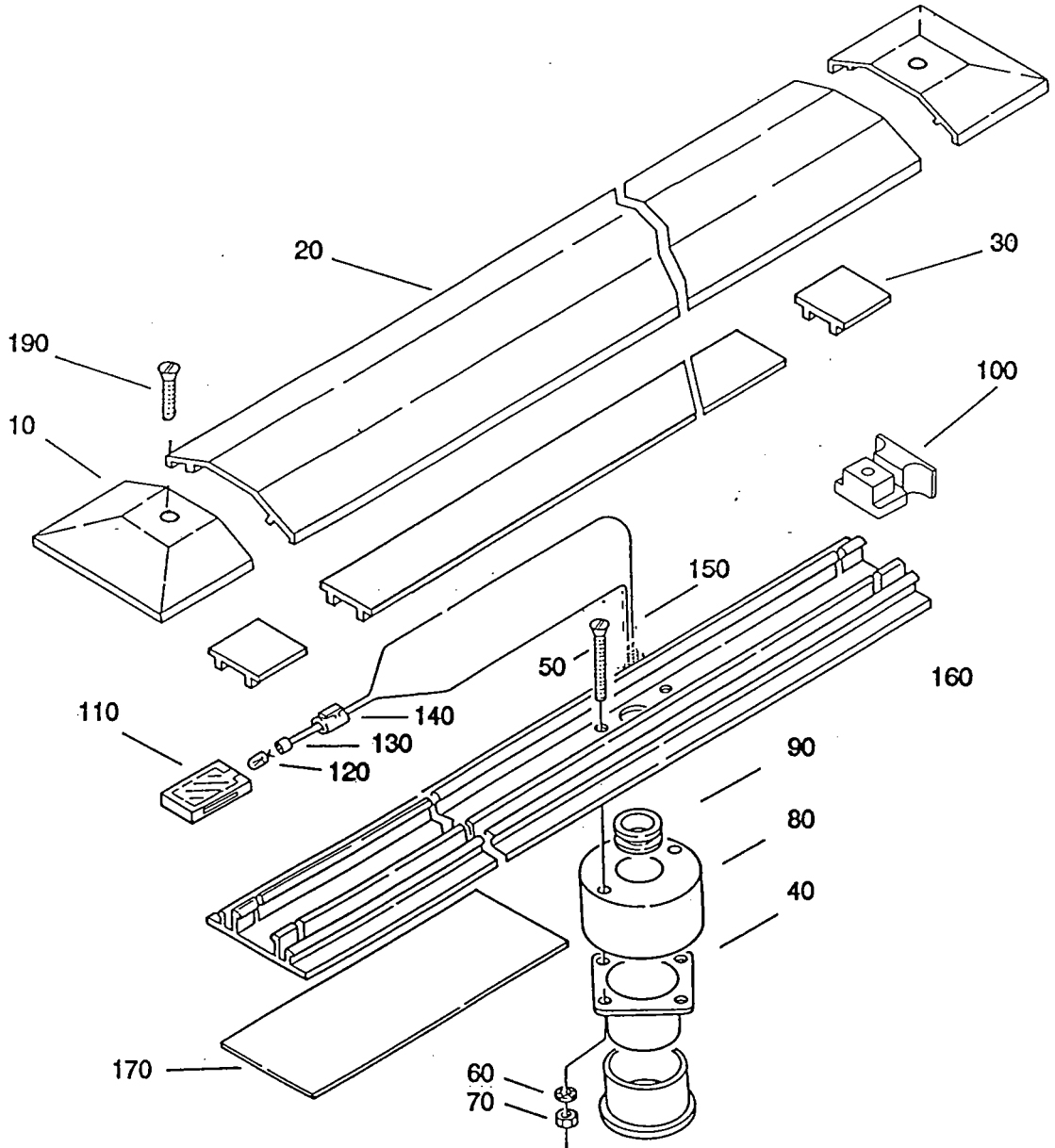


FIGURE N° 5

33-52-10

Figure 5
Page 1009
September 5 1995

MADELEC AERO
XXX-1309-111 / ILLUSTRATED PARTS CATALOG

| Fig. Item | Part Number | AIRLINE Stock N° | Nomenclature | Usage | Units/Assy |
|-----------|--------------|---------------------|------------------------------|-------|------------|
| -001A | 506-1309-111 | | Floor Proximity Strip 440 mm | | RF |
| -001B | 520-1309-111 | | Floor Proximity Strip 534 mm | | RF |
| -001C | 521-1309-111 | | Floor Proximity Strip 160 mm | | RF |
| I 010A | 11-7244 | | .End Cap Modified | | 2 |
| 020A | 506-5569-1 | | .Top Cover | A | 1 |
| 020B | 520-5569-1 | | .Top Cover | B | 1 |
| 020C | 521-5569-1 | | .Top Cover | C | 1 |
| 030A | 506-5565-1 | | .Wire Cover | A | 1 |
| 030B | 520-5565-1 | | .Wire Cover | B | 1 |
| 030C | 521-5565-1 | | .Wire Cover | C | 1 |
| 040A | 202 | | .Connector | | 1 |
| 050A | 203 | | .Screw TF90°3x30mm | | 2 |
| 060A | 210 | | .Washer lock | | 2 |
| 070A | 209 | | .Nut M3 | | 2 |
| 080A | 201 | | .Support Connector | | 1 |
| 090A | 207 | | .Grommet | | 1 |
| I 100A | 11-7345 | | .Retainer | | 2 |
| 110A | 11-5555-1 | | .Lens | | 1 |
| I 120A | LP1670 | | .Lamp | | 1 |
| 130A | LH6151 | | .Socket | | 1 |
| 140A | 11-5556-1 | | .Lamp Holder | | 1 |
| 150A | 204 | | .Set of Wire | | AR |
| 160A | 506-5568-27 | | .Base | A | 1 |
| 160B | 520-5568-27 | | .Base | B | 1 |
| 160C | 521-5568-27 | | .Base | C | 1 |
| 170A | 205 | | .Floor Cap Cover | | 1 |
| I 190A | 220 | | .Screw TF2,5 Black | | 2 |

- item not illustrated

33-52-10

Nomenclature 5

Page 1010

September 5 1995

MADELEC AERO
XXX-1309-111 / ILLUSTRATED PARTS CATALOG

TYPE: TOP COVER 118-5569-1

Arrangements on the Floor

Aft (110-5569-1) (111-5569-1) (112-5569-1) (113-5569-1) (114-5569-1) (115-5569-1) Fore

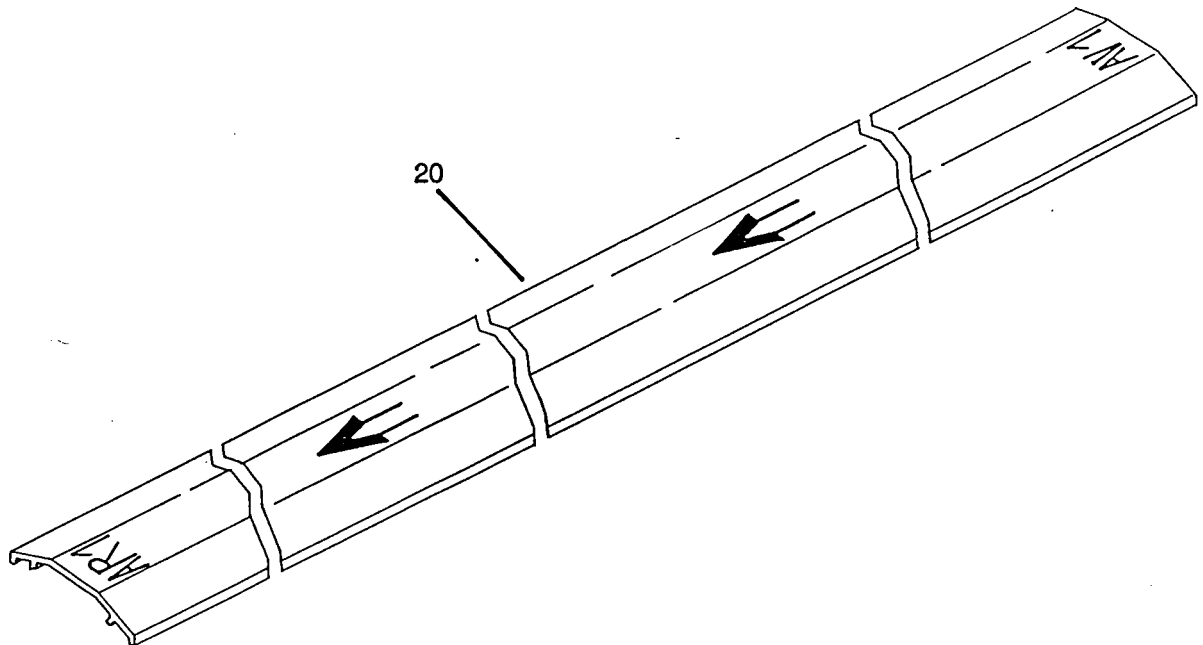


FIGURE N° 6

MADELEC AERO
XXX-1309-111 / ILLUSTRATED PARTS CATALOG

| Fig. Item | Part Number | AIRLINE Stock N° | Nomenclature | Usage | Units/Assy |
|-----------|-------------|---------------------|--------------------------|-------|------------|
| -001A | 118-5569-1 | | Set of Carved Top Cover | | RF |
| 020A | 110-5569-1 | | .Carved Top Cover 1252mm | | 1 |
| 020B | 111-5569-1 | | .Carved Top Cover 1504mm | | 1 |
| 020C | 112-5569-1 | | .Carved Top Cover 1504mm | | 1 |
| 020D | 113-5569-1 | | .Carved Top Cover 1049mm | | 1 |
| 020E | 114-5569-1 | | .Carved Top Cover 1504mm | | 1 |
| 020F | 115-5569-1 | | .Carved Top Cover 1504mm | | 1 |

- item not illustrated